

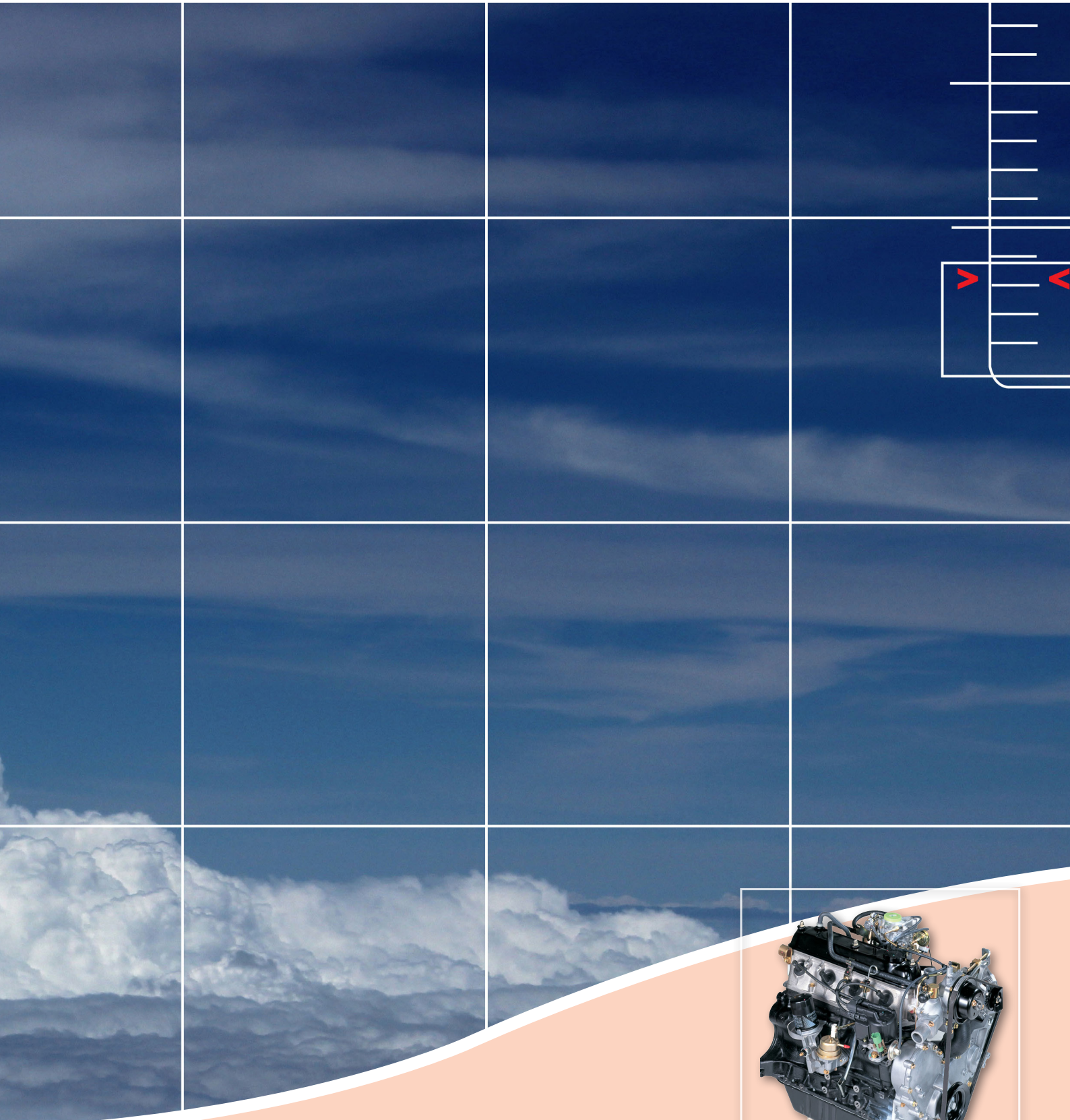


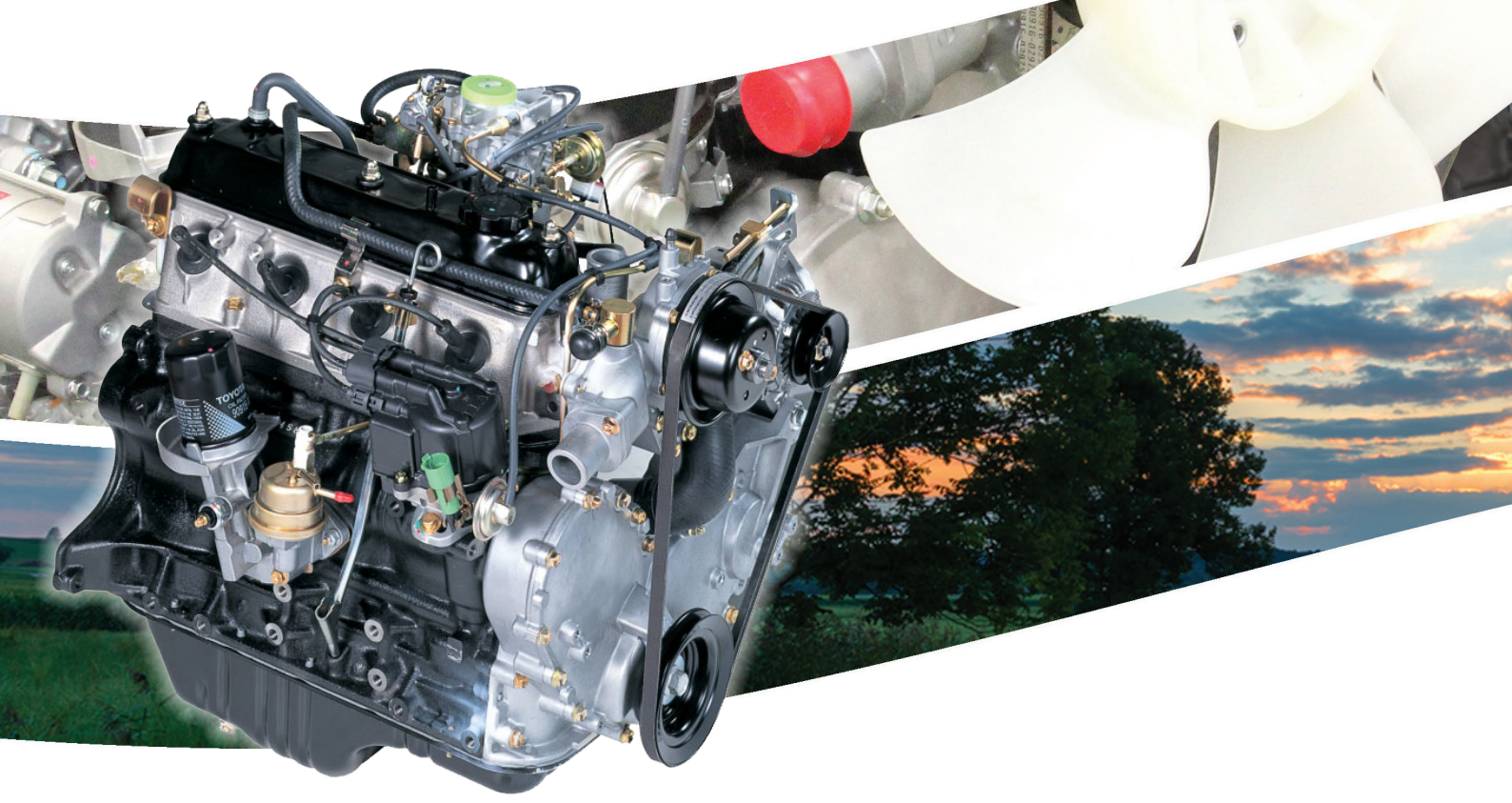
LPG Exclusive
Output : 42kW @ 2570 rpm

Gas Exclusive
Output : 44kW @ 2570 rpm

Toyota LPG Engines

LPG Convertible
Output : 42kW (LPG) , 43kW (G)





Engine Model	Toyota 4Y Type Engine
Engine Type	4 cycle, water cooled, in-line, OHV
Combustion Chamber Type	Wedge
Aspiration / Air Intake Type	Natural / Counter flow
Cylinders	4
Bore x Stroke (mm)	91 x 86
Displacement (litres)	2.2
Compression Ratio	8.8 : 1
Fuel Type	Gasoline, LPG, NG
Dimensions (L x W x H)	682.9 x 509.6 x 683.2 mm
Dry Weight (kg)	134
Rotation Direction	Anti-clockwise viewed from flywheel
Valve Clearance Intake / Exhaust	0 mm / 0 mm (Hydraulic Lash Adjuster)
Fuel Control	Gasoline: Multi-port injection LPG / NG: Electronic control mixer + injector
Ignition Control	Distributor & ESA (Electronic spark advance)
Speed Control	Electronic governor
Throttle Control	Electronic control throttle

Toyota 4Y 2.2L Engine

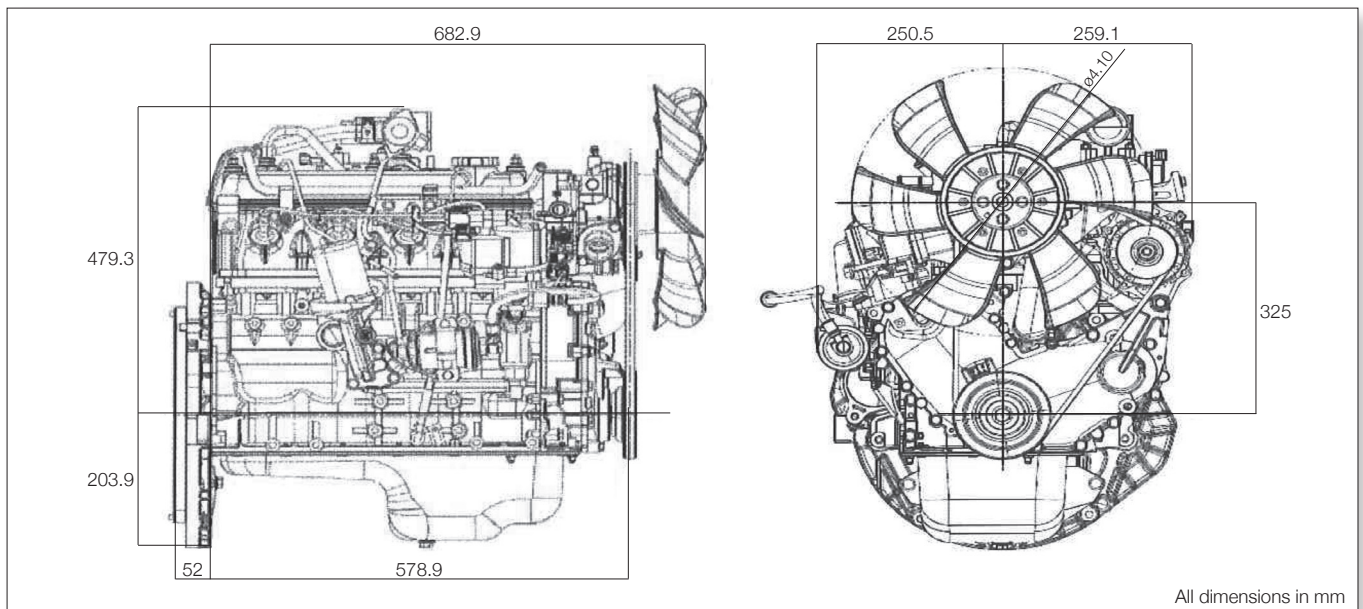
ENGINE PERFORMANCE

Fuel Type	LPG Exclusive	Gasoline Exclusive	LPG Convertible
Max Output (net) kW / rpm	42 / 2570	44 / 2570	42 / 2570 (LPG) 43 / 2570 (G)
Max Torque (net) Nm / rpm	160 / 2200	165 / 2570	160 / 2200 (LPG) 162 / 2570 (G)
Fuel Consumption g / kWh	233	310	310

No load maximum revolution - 2570 rpm

No load minimum revolution - 750 rpm

TECHNICAL DRAWINGS



TECHNICAL DRAWINGS

