

LONCIN 隆鑫

General Power Products

Gasoline Engine

LC1P61FA · LC1P65FA

LC1P68FA · LC1P70F · LC1P70FA

Owner's Manual






BEFORE OPERATING ENGINE

- λ Read entire Operating & Maintenance Instructions AND the instructions for the equipment this engine powers.
- λ Failure to follow instructions could result in serious injury or death.

THE OPERATING & MAINTENANCE INSTRUCTIONS CONTAIN SAFETY INFORMATION TO

- λ Make you aware of hazards associated with engines
- λ Inform you of the risk of injury associated with those hazards, and
- λ Tell you how to avoid or reduce the risk of injury.

The safety alert symbol () is used to identify safety information about hazards that can result in personal injury.

A signal word (**WARNING**, **DANGER**, or **CAUTION**) is used with the alert symbol to indicate the likelihood and the potential severity of injury. In addition, a hazard symbol may be used to represent the type of hazard.



WARNING indicates a hazard which, if not avoided, **will result in death or serious injury**.



DANGER indicates a hazard which, if not avoided, **could result in death or serious injury**.



CAUTION indicates a hazard which, if not avoided, **might result in minor or moderate injury**.

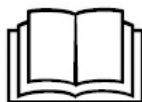
When used without the alert symbol, indicates a situation that could result in damage to the engine.



The engine exhaust from this product contains chemicals known to the State of California to cause cancer, birth defects, or other reproductive harm.

CAUTION: *We are not necessarily know what equipment this engine will power. For that reason, you should carefully read and understand the operating instructions for the equipment on which your engine is placed.*

THE INTERNATIONAL SYMBOLS USED ON THE ENGINE OR IN THIS MANUAL INCLUDE:



HAZARD SYMBOLS AND MEANINGS



Explosion



Fire



Toxic Fumes



Moving Parts



Kickback



Hot Surface



Shock

CONTENTS

1. ENGINE SAFETY 2

2. COMPONENTS & CONTROL LOCATIONS 5

3. CONTROLS 6

4. MAINTENANCE 8

5. STORAGE/TRANSPORTING 12

6. TROUBLESHOOTING 15

7. TECHNICAL & CONSUMER INFORMATION 16

8. SPECIFICATIONS..... 17

1. ENGINE SAFETY

IMPORTANT SAFETY INFORMATION

Most accidents with engines can be prevented if you follow all instructions in this manual and on the engine. Some of the most common hazards are discussed below, along with the best way to protect yourself and others.

Owner Responsibilities

- λ The engines are designed to give safe and dependable service if operated according to instructions. Read and understand this owner's manual before operating the engine. Failure to do so could result in personal injury or equipment damage.
- λ Know how to stop the engine quickly, and understand the operation of all controls. Never permit anyone to operate the engine without proper instructions.
- λ Do not allow children to operate the engine. Keep children and pets away from the area of operation.



**Gasoline and its vapors are extremely flammable and explosive.
Fire or explosion can cause severe burns or death.**

WHEN ADDING FUEL

- λ Turn engine OFF and let engine cool at least 2 minutes before removing gas cap.
- λ Fill fuel tank outdoors or in well-ventilated area.
- λ Do not overfill fuel tank. Fill tank to approximately 1-1/2 inches below top of neck to allow for fuel expansion.
- λ Keep gasoline away from sparks, open flames, pilot lights, heat, and other ignition sources.
- λ Check fuel lines, tank, cap, and fittings frequently for cracks or leaks. Replace if necessary.

WHEN STARTING ENGINE

- λ Make sure spark plug, muffler, fuel cap and air cleaner are in place.
- λ Do not crank engine with spark plug removed.
- λ If fuel spills, wait until it evaporates before starting engine.
- λ If engine floods, set choke to OPEN/RUN position, place throttle in FAST and crank until engine starts.

WHEN OPERATING EQUIPMENT

- λ Do not tip engine or equipment at angle which causes gasoline to spill.
- λ Do not choke carburetor to stop engine.

WHEN TRANSPORTING EQUIPMENT

- λ Transport with fuel tank EMPTY or with fuel shut-off valve OFF

WHEN STORING GASOLINE OR EQUIPMENT WITH FUEL IN TANK

- λ Store away from furnaces, stoves, water heaters or other appliances that have pilot light or other ignition source because they can ignite gasoline vapors.


WARNING

**Starting engine creates sparking.
Sparking can ignite nearby flammable gases.
Explosion and fire could result.**

- λ If there is natural or gas leakage in area, do not start engine.
- λ Do not use pressurized starting fluids because vapors are flammable.



Kickback

WARNING

**Rapid retraction of starter cord (kickback) will pull hand and arm toward engine faster than you can let go.
Broken bones, fractures, bruises or sprains could result.**

- λ When starting engine, pull cord slowly until resistance is felt, then pull rapidly.
- λ Remove all external equipment/engine loads before starting engine.
- λ Direct coupled equipment components such as, but not limited to, blades, impellers, pulleys, sprockets, etc., must be securely attached.



Toxic Fumes

WARNING

**Engines give off carbon monoxide, an odorless, colorless, poison gas.
Broken bones, fractures, bruises or sprains could result.**

- λ Start and run engine outdoors.
- λ Do not start or run engine enclosed area, even if doors or windows are open.



Moving Parts

WARNING

**Rotating parts can contact or entangle hands, feet, hair, clothing, or accessories.
Traumatic amputation or severe laceration can result.**

- λ Operate equipment with guards in place.
- λ Keep hands and feet away from rotating parts.
- λ Tie up long hair and remove jewelry.
- λ Do not wear loose-fitting clothing, dangling drawstrings or items that could become caught.



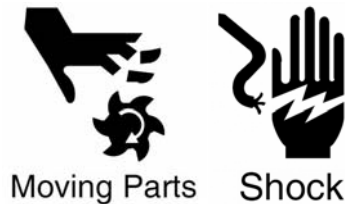
Fire

Hot Surface

**WARNING**

Running engines produce heat. Engine parts, especially muffler, become extremely hot. Severe thermal burns can occur on contact. Combustible debris, such as leaves, grass, brush, etc. can catch fire.

- λ Allow muffler, engine cylinder and fins to cool before touching.
- λ Remove accumulated combustibles from muffler area and cylinder area.



Moving Parts

Shock

**WARNING**

Unintentional sparking can result in fire or electric shock.

Unintentional start-up can result in entanglement, traumatic amputation, or laceration.



Fire

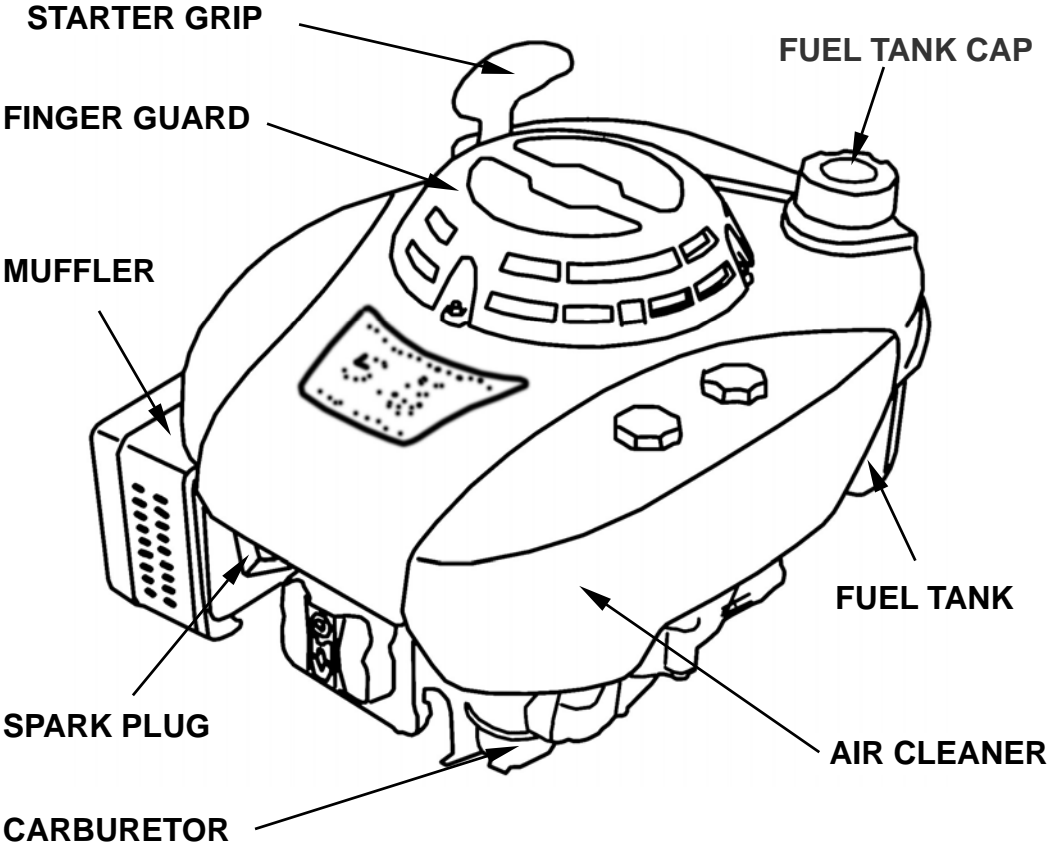
BEFORE PERFORMING ADJUSTMENTS OR REPAIRS

- λ Disconnect spark plug wire and keep it away from spark plug.
- λ Disconnect battery at negative terminal (only engines with electric start).

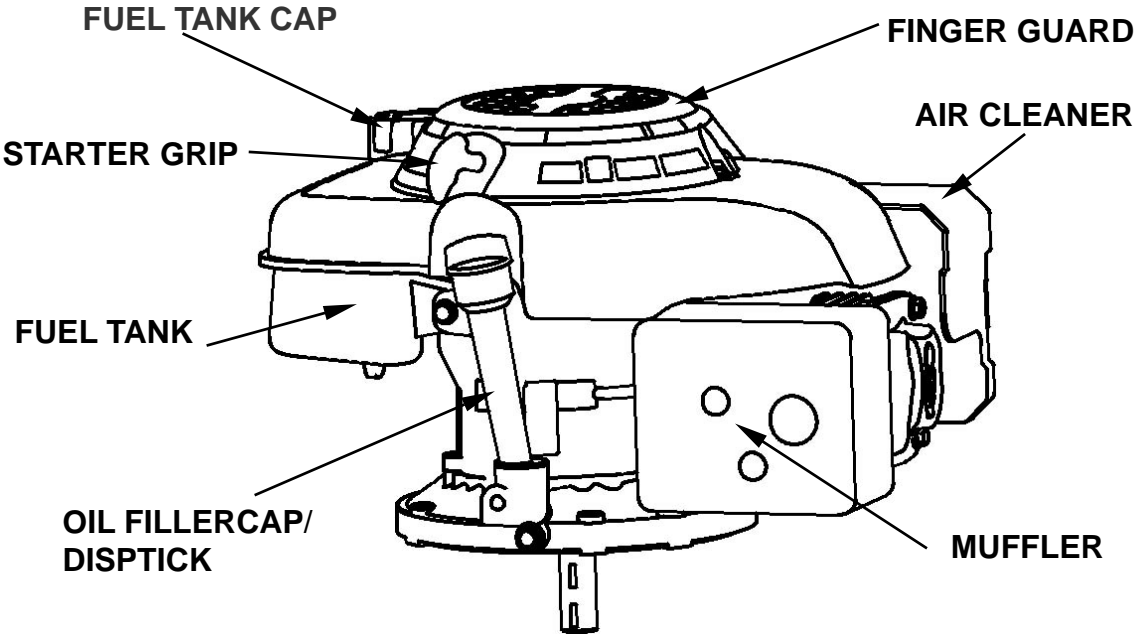
WHEN TESTING FOR SPARK

- λ Use approved spark plug tester.
- λ Do not check for spark with spark plug removed.

2. COMPONENTS & CONTROL LOCATIONS



1P68FA, 1P70F, 1P70FA



1P61FA, 1P65FA

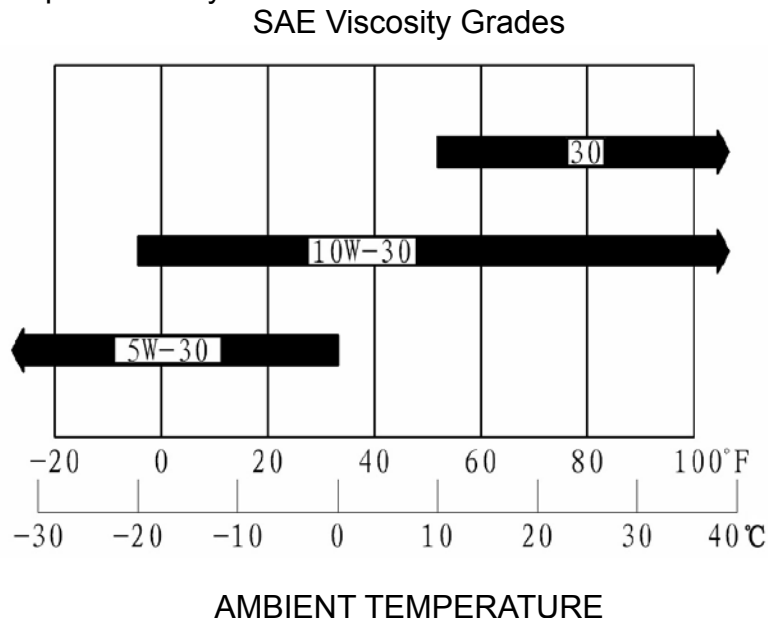
3. CONTROLS

3.1 ENGINE OIL

ENGINE OIL RECOMMENDATIONS

Oil is a major factor affecting performance and service life. Use 4-stroke automotive detergent oil.

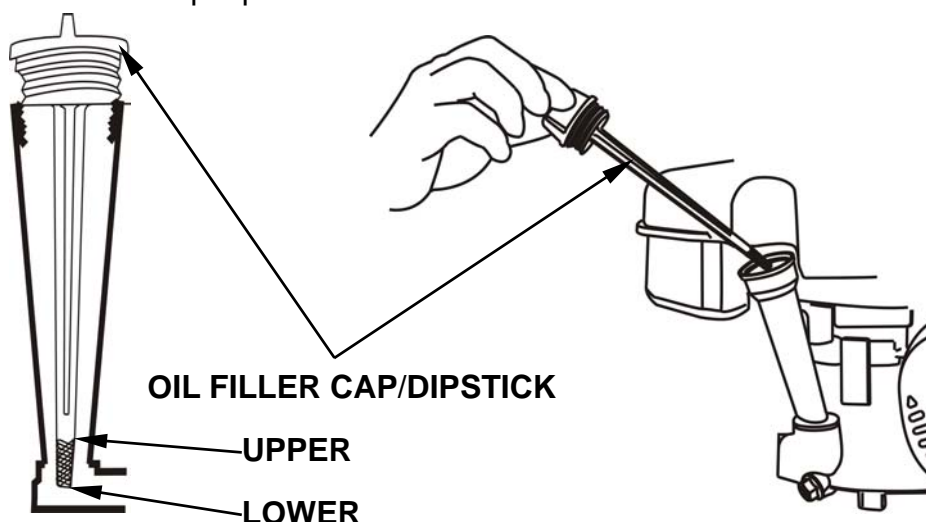
SAE 10W-30 is recommended for general use. Other viscosities shown in the chart may be used when the average temperature in your area is within the recommended range.



The SAE oil viscosity and service classification are in the API label on the oil container. We recommend that you use API SERVICE Category SE or SF oil.

CAUTION: *This engine is shipped from factory without oil. Check oil level before starting engine. If you start the engine without oil, the engine will be damaged beyond repair and will not be covered under warranty.*

- λ Check the engine oil level with the engine stopped and in a level position.
- λ Remove the oil filler cap/dipstick and wipe it clean.
- λ Insert the oil filler cap/dipstick into the oil filler neck as shown, but do not screw it in, then remove it to check the oil level.
- λ If the oil level is near or below the lower limit mark on the dipstick, fill with the recommended oil to the upper limit mark. Do not overfill.
- λ Reinstall the oil filler cap/dipstick.



Engine oil capacities: 1P61FA、1P65FA : 0.55L (0.146 US Gal, 0.119 Imp Gal)
 1P68FA、1P70F、1P70FA : 0.60L (0.16 US Gal, 0.13 Imp Gal)

CAUTION:

*Do not overfill. Overfilling with oil may cause:
 Smoking, Hard starting, Spark plug fouling, or Oil saturation of air filter.
 Used oil should be sent to special recycle bin for disposing.*

3.2 FUEL

FUEL RECOMMENDATIONS

Use clean, fresh, regular unleaded gasoline with a minimum of 85 octane.

- λ These engines are certified to operate on unleaded gasoline. Unleaded gasoline produces fewer engine and spark plug deposits and extends exhaust system life.
- λ Never use stale or contaminated gasoline or an oil/gasoline mixture. Avoid getting dirt or water in the fuel tank.
- λ Occasionally you may hear a light “spark knock” or “pinging” (metallic rapping noise) while operating under heavy loads. This is no cause for concern.
- λ If spark knock or pinging occurs at a steady engine speed, under normal load, change brands of gasoline. If spark knock or pinging persists, see an authorized servicing dealer.

Fuel tank capacity: 1P61FA、1P65FA : 1.2L (0.32 US Gal, 0.26 Imp Gal)
 1P68FA、1P70F、1P70FA : 2.0L (0.53 US Gal, 0.44 Imp Gal)



WARNING

- λ Do not use pressurized starting fluids.
- λ Vapors are flammable.

DANGER: Gasoline and its vapors are extremely flammable and explosive.

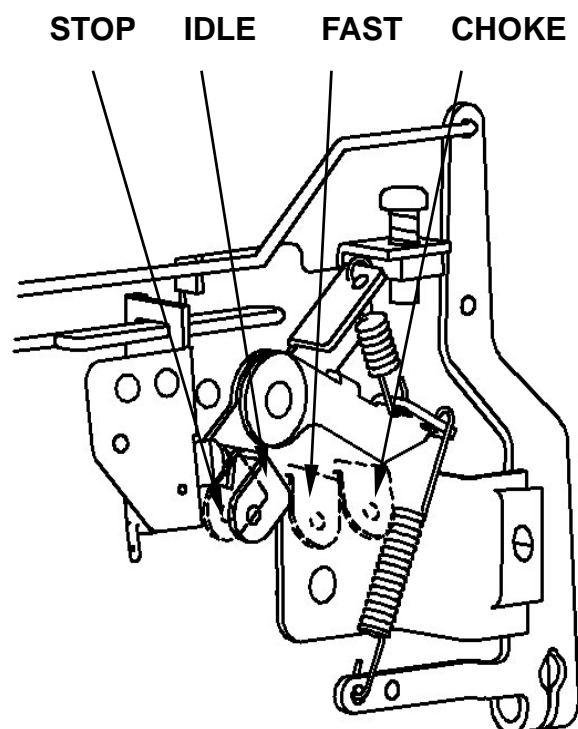
3.3 STARTING ENGINE

3.3.1 Control Lever

- λ **FOR STARTING A COLD ENGINE:** Move the Control Lever to the choke position.
- λ **FOR RESTARTING A WARM ENGINE:** Do not use the choke when the engine is warm. Move the control Level slightly past the idle position.
- λ **FLYWHEEL BRAKE MODELS:** Move the flywheel brake lever (located on equipment) to release the flywheel brake.

3.3.2 Start Engine

- λ Grasp rope handle. Pull slowly until resistance is felt, then pull rapidly to start engine and avoid kickback.
- λ If the choke was used to start the engine, move the throttle to the fast (or high) position as soon



as the engine warms up enough to run smoothly

λ without use of the choke.

λ FLYWHEEL BRAKE MODELS: Continue to hold the flywheel brake lever (located on equipment). The engine will stop if you release the flywheel brake lever.

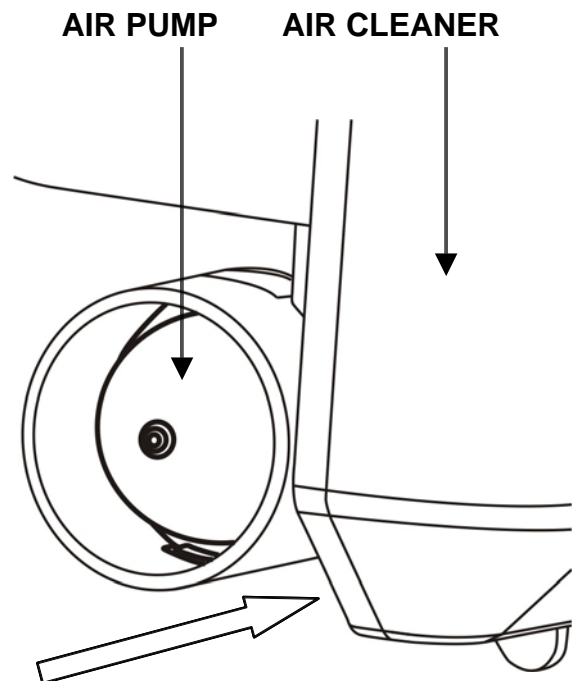
λ Position the control Level for the desired engine speed. For best engine performance, it is recommended the engine be operated with the throttle in the FAST (or high) position.



If using air pump carburetor, because there is no throttle rod, so press AIR PUMP one time to 3 times according to the direction of the arrow when coldstart, then start it.

CAUTION: Carefully check if there is enough oil before starting.

DANGER: Rapid retraction of starter cord (kickback) will pull hand and arm toward engine faster than you can let go. Rotating parts can contact or entangle hands, feet, hair, clothing, or accessories. Running engines produce heat. Engine parts, especially muffler, become extremely hot. Severe thermal burns can occur on contact.



3.4 STOPPING ENGINE

1. Move the Control Level to the slow (IDLE) position.
2. Move the Control Level to the stop position.
3. FLYWHEEL BRAKE MODELS: Release the flywheel brake lever (located on equipment) to stop the engine.
4. Turn the fuel valve to the OFF position if you do not intend to restart the engine soon.

4. MAINTENANCE

THE IMPORTANCE OF MAINTENANCE

Good maintenance is essential for safe, economical, and trouble-free operation. It will also help reduce air pollution.



WARNING

Improperly maintaining this engine, or failure to correct a problem before operation, can cause a malfunction in which you can be seriously hurt or killed. Always follow the inspection and maintenance recommendations and schedules in this owner's manual.

MAINTENANCE SAFETY

Regular maintenance will improve the performance and extend the life of the engine.

WARNING

Failure to properly follow maintenance instructions and precautions can cause you to be seriously hurt or killed.

Always follow the procedures and precautions in the owner's manual.

Safety Precautions

λ Make sure the engine is off before you begin any maintenance or repairs. This will eliminate several potential hazards:

v  **Carbon monoxide poisoning from engine exhaust.**

Be sure there is adequate ventilation whenever you operate the engine.

v  **Burns from hot parts.**

Let the engine and exhaust system cool before touching.

v  **Injury from moving parts.**

Do not run the engine unless instructed to do so.

λ Read the instructions before you begin, and make sure you have the tools and skills required.

λ To reduce the possibility of fire or explosion, be careful when working around gasoline. Use only a nonflammable solvent, not gasoline, to clean parts. Keep cigarettes, sparks and flames away from all fuel-related parts.

To ensure the best quality and reliability, use only new, genuine parts or their equivalents for repair and replacement.

MAINTENANCE SCHEDULE

REGULAR SERVICE PERIOD Performed at every indicated month or operating hour interval, whichever comes first.		Before Each use	First month or 5 Hrs.	Every 3 months or 25 Hrs.	Every 6 months or 50 Hrs.	Every year or 100 Hrs.
ITEM						
Engine oil	Check level	○				
	Change		○		○(1)	
Air cleaner	Check	○				
	Clean			○(2)		
	Replace					○☆
Spark plug	Check-Clean				○	
	Replace					○
Flywheel brake pad	Check				○	
Spark arrester (optional parts)	Clean				○	
Idle speed	Check-Adjust					○(3)
Valve clearance	Check-Adjust					○(3)
Combustion chamber	Clean	After every 100 Hrs. (3)				
Fuel line	Check	Every 2 years (Replace if necessary) (3)				

☆ Replace the paper element type only.

- (1) Change engine oil every 25 hours when used under heavy load or in high ambient temperatures.
- (2) Clean more often under dusty conditions or when airborne debris is present. Replace air cleaner parts, if very dirty.
- (3) These items should be serviced by your servicing dealer unless you have the proper tools and are mechanically proficient. Refer to manual for service procedures.

Failure to follow this maintenance schedule could result in nonwarrantable failures.

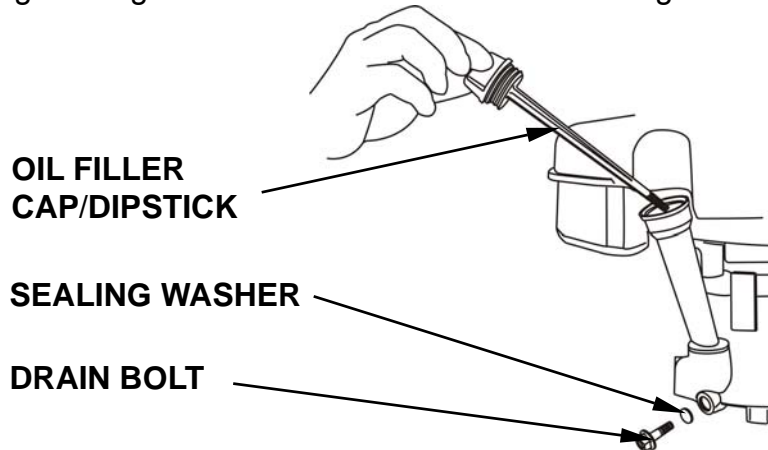
CAUTION: *Used oil is a hazardous waste product. Dispose of used oil properly. Do not discard with household waste. We suggest you take used oil in a sealed container to your local recycling center or service station for reclamation.*

CHANGE ENGINE OIL

Drain the used oil while the engine is warm. Warm oil drains quickly and completely.

1. Place a suitable container below the engine to catch the used oil, and then remove the filler cap/dipstick, the drain bolt and sealing washer.
2. Allow the used oil to drain completely, and then reinstall the drain bolt and sealing washer, and tighten it securely.
3. With the engine in a level position, fill to the upper limit mark on the dipstick with the recommended oil.
4. Reinstall the oil filler cap/dipstick securely.

Running the engine with a low oil level can cause engine damage.



REFUELING

With the engine stopped, remove the fuel tank cap and check the fuel level. Refill the tank if the fuel level is low.

Refuel in a well-ventilated area before starting the engine. If the engine has been running, allow it to cool. Refuel carefully to avoid spilling fuel. Do not fill above the fuel strainer shoulder. After refueling, tighten the fuel tank cap securely.

Never refuel the engine inside a building where gasoline fumes may reach flames or sparks. Keep gasoline away from appliance pilot lights, barbecues, electric appliances, power tools, etc. Spilled fuel isn't only a fire hazard, it causes environmental damage. Wipe up spills immediately.

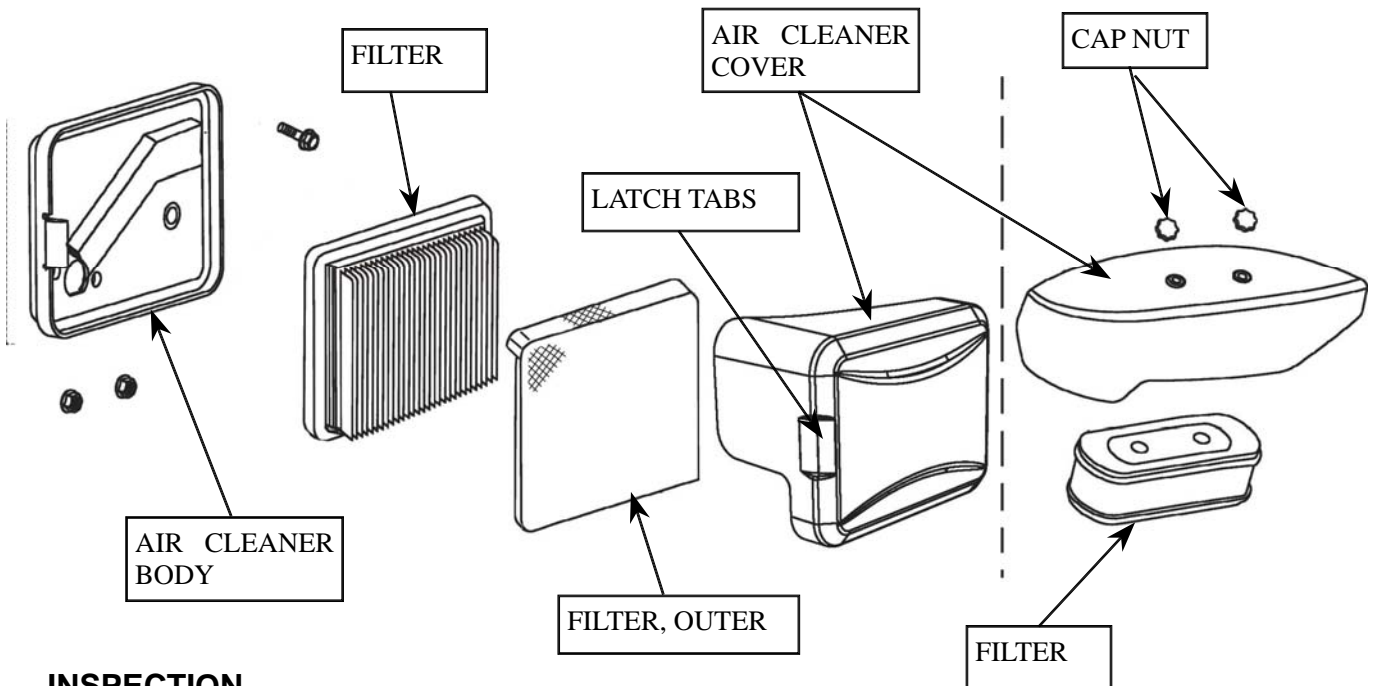
CAUTION: *Fuel can damage paint and plastic. Be careful not to spill fuel when filling your fuel tank. Damage caused by spilled fuel is not covered under warranty.*

AIR CLEANER

Remove the air cleaner cover and inspect the filter. Clean or replace dirty filter elements. Always replace damaged filter elements. If equipped with an oil-bath air cleaner, also check the oil level.

CAUTION: *A dirty air filter will restrict air flow to the carburetor, reducing engine performance.*

If you operate the engine in very dusty areas, clean the air filter more often than specified in the MAINTENANCE SCHEDULE.



INSPECTION

1. Press the latch tabs on the air cleaner cover or remove the cap nuts, and remove the cover. Check the filter to be sure it is clean and in good condition.
2. Reinstall the filter and air cleaner cover.

Cleaning

1. Tap the filter several times on a hard surface to remove dirt, or blow compressed air (not exceeding 30 psi [207kPa, 2.1kg/cm²]) through the filter from the clean side that faces the engine. Never try to brush off dirt. Brushing will force dirt into the fibers.
2. Tap the filter outer several times on a hard surface to remove dirt. Clean. If the filter outer is very dirty, replace the filter outer.
3. Wipe dirt from the air cleaner body and cover using a moist rag. Be careful to prevent dirt from entering the air duct that leads to the carburetor.

CAUTION: Operating the engine without an air filter, or with a damaged air filter, will allow dirt to enter the engine, causing rapid engine wear. This type of damage is not covered by the Distributor's Limited Warranty.

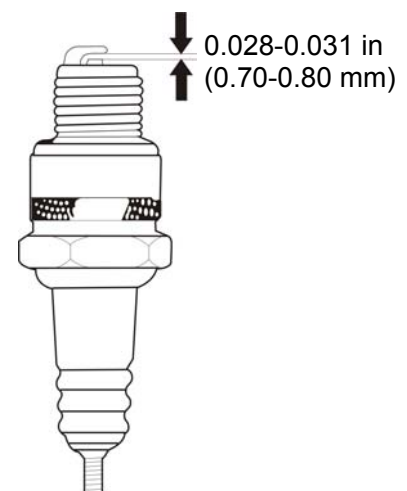
SPARK PLUG SERVICE

Recommended spark plugs: F7RTC or other equivalents.

CAUTION:

An incorrect spark plug can cause engine damage.

1. Disconnect the spark plug cap, and remove any dirt from around the spark plug area.
2. Remove the spark plug with a spark plug wrench.
3. Inspect the spark plug. Replace it if the electrodes are worn, or



4. if the insulator is cracked or chipped.
5. Measure the spark plug electrode gap with a suitable gauge. The gap should be 0.028 - 0.031 in (0.70 - 0.80 mm). Correct the gap, if necessary, by carefully bending the side electrode.
6. Install the spark plug carefully, by hand, to avoid cross-threading.
7. After the spark plug seats, tighten with a spark plug wrench to compress the water. If reinstalling the used spark plug, tighten 1/8 - 1/4 turn after the spark plug seats. If installing a new spark plug, tighten 1/2 turn after the spark plug seats.
CAUTION: *A loose spark plug can overheat and damage the engine. Over tightening the spark plug can damage the threads in the cylinder head.*
8. Attach the spark plug cap.

5. STORAGE/ TRANSPORTING

STORING YOUR ENGINE

Storage Preparation

Proper storage preparation is essential for keeping your engine trouble free and looking good. The following steps will help to keep rust and corrosion from impairing your engine's function and appearance, and will make the engine easier to start after storage.

Cleaning

If the engine has been running, allow it to cool for at least half an hour before cleaning. Clean all exterior surfaces, touch up any damaged paint, and coat other areas that may rust with a light film of oil.

CAUTION: *Using a garden hose or pressure washing equipment can force water into the air cleaner or muffler opening. Water in the air cleaner will soak the air filter, and water that passes through the air filter or muffler can enter the cylinder, causing damage.*

Water contacting a hot engine can cause damage. If the engine has been running, allow it to cool for at least half an hour before washing.

Fuel

Gasoline will oxidize and deteriorate in storage. Old gasoline will cause hard starting, and it leaves gum deposits that clog the fuel system. If the gasoline in your engine deteriorates during storage, you may need to have the carburetor and other fuel system components serviced or replaced.

The length of time that gasoline can be left in your fuel tank and carburetor without causing functional problems will vary with such factors as gasoline blend, your storage temperatures, and whether the fuel tank is partially or completely filled. The air in a partially filled fuel tank promotes fuel deterioration. Very warm storage/temperatures accelerate fuel deterioration. Fuel deterioration problems may occur within a few months, or even less if the gasoline was not fresh when you filled the fuel tank.

The Distributor's Limited Warranty does not cover fuel system damage or engine performance problems resulting from neglected storage preparation.

You can extend fuel storage life by adding a fuel stabilizer that is formulated for that purpose, or

you can avoid fuel deterioration problems by draining the fuel tank and carburetor.

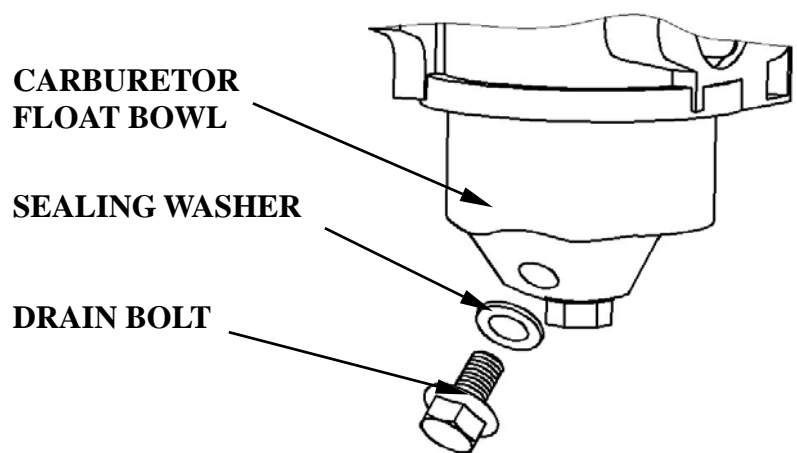
ADDING A FUEL STABILIZER TO EXTEND FUEL STORAGE LIFE

When adding a fuel stabilizer, fill the fuel tank with fresh gasoline. If only partially filled, air in the tank will promote fuel deterioration during storage. If you keep a container of gasoline for refueling, be sure that it contains only fresh gasoline.

1. Add fuel stabilizer following the manufacturer's instructions.
2. After adding a fuel stabilizer, run the engine outdoors for 10 minutes to be sure that treated gasoline has replaced the untreated gasoline in the carburetor.
3. Stop the engine, and move the fuel valve to the OFF position.

DRAINING THE FUEL TANK AND CARBURETOR

1. Place an approved gasoline container below the carburetor, and use a funnel to avoid spilling fuel.
2. Remove the carburetor drain bolt and sealing washer, and then move the fuel valve lever to the ON position.
3. After all the fuel has drain into the container, reinstall the drain bolt and sealing washer. Tighten them securely.



Storage Precautions

1. Change the engine oil.
2. Remove the spark plugs.
3. Pour a tablespoon (5-10 cc) of clean engine oil into the cylinder.
4. Pull the starter rope several times to distribute the oil in the cylinder.
5. Reinstall the spark plugs.
6. Pull the starter rope slowly until resistance is felt. This will close the valves so moisture cannot enter the engine cylinder. Return the starter rope gently.

If your engine will be stored with gasoline in the fuel tank and carburetor, it is important to reduce the hazard of gasoline vapor ignition. Select a well-ventilated storage area away from any appliance that operates with a flame, such as a furnace, water heater, or clothes dryer. Also avoid any area with a spark-producing electric motor, or where power tools are operated.

If possible, avoid storage areas with high humidity, because that promotes rust and corrosion.

STORAGE/ TRANSPORTING

Unless all fuel has been drained from the fuel tank, leave the fuel valve lever in the OFF position to reduce the possibility of fuel leakage.

Position the equipment so the engine is level. Tilting can cause fuel or oil leakage.

7. With the engine and exhaust system cool, cover the engine to keep out dust. A hot engine and exhaust system can ignite or melt some materials. Do not use sheet plastic as a dust cover. A nonporous cover will trap moisture around the engine, promoting rust and corrosion.

If equipped with a battery for an electric starter, recharge the battery once a month while the engine is in storage. This will help to extend the service life of the battery.

Removal from Storage

Check your engine as described in the chapter OPERATION.

If the fuel was drained during storage preparation, fill the tank with fresh gasoline. If you keep a container of gasoline for refueling, be sure that it contains only fresh gasoline. Gasoline oxidizes and deteriorates over time, causing hard starting.

If the cylinders were coated with oil during storage preparation, the engine may smoke briefly at startup. This is normal.

Transporting

If the engine has been running, allow it to cool for at least 15 minutes before loading the engine-powered equipment on the transport vehicle. A hot engine and exhaust system can burn you and can ignite some materials.

Keep the engine level when transporting to reduce the possibility of fuel leakage. Move the fuel valve lever to the OFF position.

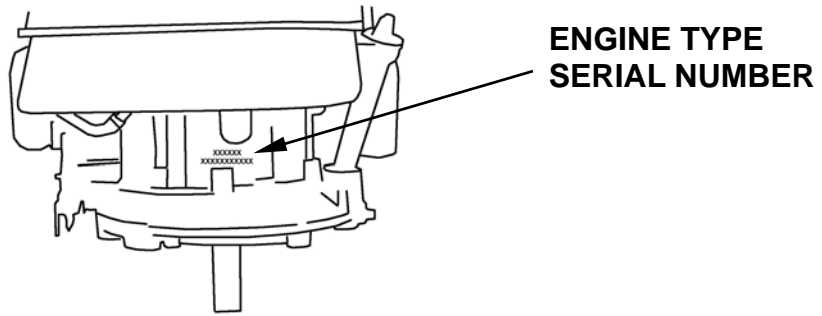
6. TROUBLESHOOTING

ENGINE WILL NOT START	Possible Cause	Correction
1. Check control positions	Choke OPEN.	Move lever to CLOSE unless engine is warm.
	Engine switch OFF.	Turn engine switch to ON.
2. Check fuel.	Out of fuel.	Refuel
	Bad fuel; engine stored without treating or draining gasoline, or refueled with bad gasoline.	Drain fuel tank and carburetor. Refuel with fresh gasoline.
3. Remove and inspect spark plugs.	Spark plugs faulty, fouled, or improperly gapped.	Gap, or replace spark plugs.
	Spark plugs wet with fuel (flooded engine).	Dry and reinstall spark plugs. Start engine with control lever in FAST position.
4. Take engine to an authorized servicing dealer, or refer to manual.	Fuel filter clogged, carburetor malfunction, ignition malfunction, valve stuck, etc.	Replace or repair faulty components as necessary.
ENGINE LACKS POWER	Possible Cause	Correction
1. Check air filter	Filter element(s) clogged.	Clean or replace filter element(s).
2. Check fuel.	Out of fuel.	Refuel
	Bad fuel; engine stored without treating or draining gasoline, or refueled with bad gasoline.	Drain fuel tank and carburetor. Refuel with fresh gasoline.
3. Take engine to an authorized servicing dealer, or refer to manual.	Fuel filter clogged, carburetor malfunction, ignition malfunction, valve stuck, etc.	Replace or repair faulty components as necessary.
ENGINE OPERATES ERRATICALLY	Possible Cause	Correction
1. Check spark plug	Spark plug is defective.	Install new, correctly gapped plug,
	Spark plug gap is incorrect.	Set gap between electrodes at 0.7 to 0.8 mm.
2. Check air cleaner	Air cleaner element is dirty.	Clean air cleaner element.

TECHNICAL & CONSUMER INFORMATION

7. TECHNICAL & CONSUMER INFORMATION

Serial Number Location



Record the engine serial number in the space below. You will need this serial number when ordering parts, and when making technical or warranty inquiries.

Engine serial number: _____

Maintenance

Follow the maintenance schedule. Remember that this schedule is based on the assumption that your machine will be used for its designed purpose. Sustained high-load or high-temperature operation, or use in unusually wet or dusty conditions, will require more frequent service.

Engine Tune-up

ITEM	SPECIFICATION
Spark plug gap	0.028-0.031 in (0.70-0.80 mm)
Valve clearance	IN: 0.10 ± 0.02 mm (cold) EX: 0.15 ± 0.02 mm (cold)
Other specifications	No other adjustments needed

Quick Reference Information

Engine Oil	Type	SAE 10W-30, API SE or SF, for general use
	Capacity	1P61FA, 1P65FA : 0.55L (0.146 US Gal, 0.119 Imp Gal) 1P68FA, 1P70F, 1P70FA : 0.6L (0.16US Gal, 0.13mp Gal)
Spark Plug	Type	F7RTC or other equivalents.
	Gap	0.028—0.031 in (0.70—0.80 mm)
Carburetor	Idle speed	1800 ± 150 rpm
Maintenance	Each use	Check engine oil. Check air filter.
	First 5 hours	Change engine oil.
	Subsequent	Refer to the maintenance

8. SPECIFICATIONS

Model	1P61FA	1P65FA	1P68FA	1P70F	1P70FA
Type	Single cylinder, 4-Stroke, Forced Air Cooling, OHV				
Max. power(kW/3600rpm)	2.9	3.7	4.2	4.0	4.4
Max. torque (N·m/rpm)	7.5/2500	8.8/2500	10.4/2500	9.8/2500	11.0/2500
Fuel consumption (g/kW·h)	≤395				
Idle speed	1800±150 rpm				
Bore X Stroke(mm)	61×48	65×48	68×51	70×45	70×51
Displacement(cc)	140	159	185	173	196
Compression Ratio	8 :1				
Lubricating mode	Splash				
Starting Mode	Recoil start				
Rotation	Anti-clockwise(from P.T.O. side)				
Valve Clearance	input valve: 0.10±0.02mm, output valve: 0.15±0.02mm				
Spark plug clearance	0.7~0.8mm				
Igniting Mode	Transistorized magneto Ignition				
Air cleaner	Semi-dry, Oil bath, Foam filter				
Dimension(L×W×H)(mm)	430×380×380		470*390*380		
Net weight (kg)	12.5	12.0	13.4	13.7	13.0



Loncin motor co., Ltd.

Add: No. 99 Hualong Road, Jiulongpo District, Chongqing, China

Tel: 86 23 8980 5678 / 86 23 8980 8505

Fax: 86 23 8906 7566

Email: marketing@loncinengine.com

Website: www.loncinengine.com

PRINTED IN CHINA