

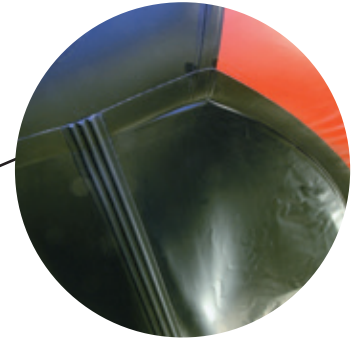
# SEA SEARCH

## 3.9M - 4.2M



### Grab Handles & Rope

All SeaSearch dinghies have 7 handles plus rope to assist easy carrying and boarding.



### Inflatable Keel

All SeaSearch dinghies feature an inflatable keel as standard. It gives better under power and better directional control at speed.



### Aluminium Floor

This anodised double thickness floor is light and durable thanks to its special cavity design. The ribbed patterning gives extra grip underfoot, whilst the sectional design makes it easy to store.



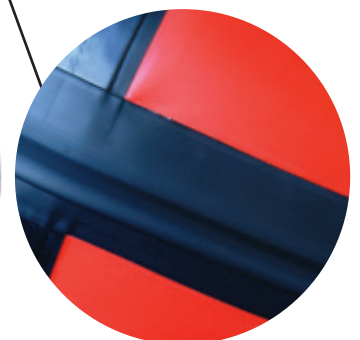
### Handles and Seating

There are non-slip reinforcement patches for seating and safety.



### Fuel Strap and Paddle Clips

The fuel tanks tie down strap keeps the hose neatly to the side preventing a trip or fuel spill hazard whilst the paddle clips let you store the paddle when an outboard is in use.



### Rubbing Strake

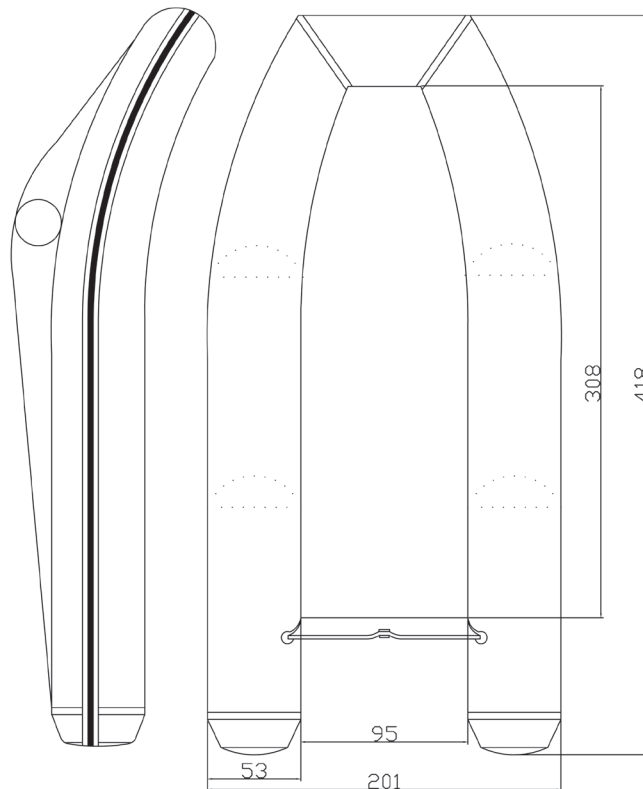
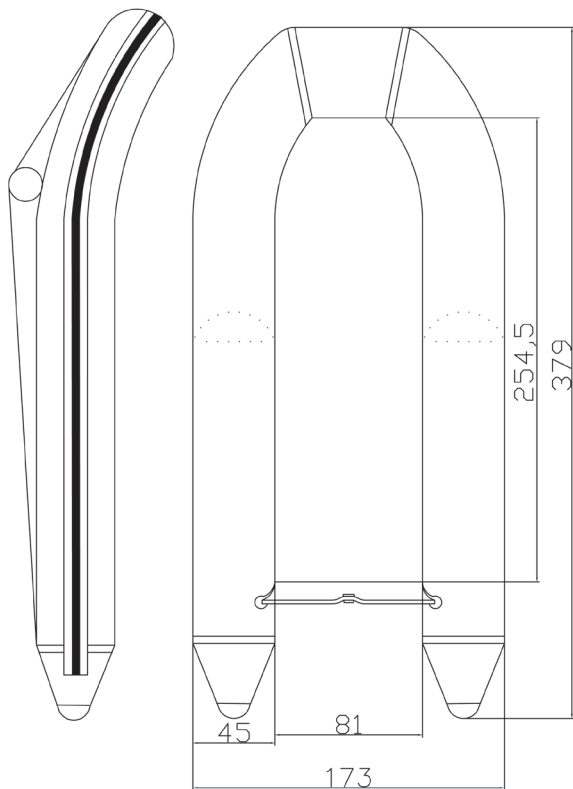
The double thickness strake is designed to take the knocks and provide the best protection possible for the inflated tube.

**Each supplied with pump, repair kit, seat, paddle and transit bag.**

# SEA SEARCH

**SS390 - £1,049.00 inc VAT**

**SS420 - £1,399.00 inc VAT**



## SPECIFICATION

	SS390	SS420
Length (mm)	379	418
Beam (mm)	173	201
Tube Ø (mm)	45	53
Internal Width (mm)	81	95
Weight (kg)	68.6	91
Max Persons	5.5	7
Max HP	25	30

Power Your SeaSearch with



**SeaSearch Dinghies come with a 2 Year Barrus Backed Warranty**



E. P. Barrus Ltd, Glen Way, Launton Road, Bicester, Oxfordshire, OX26 4UR  
 Tel: 01869 363636 Fax: 01869 363673 | E-mail: marine@barrus.co.uk | www.barrus.co.uk

E. P. Barrus Ltd reserves the right to change specifications and/or prices without notice.