



# **SHIRE** PARTS BOOK



For the following engine models\*:

- Shire 06 90
- Shire 09 90
- Shire 11 90
- Shire 12 90
- Shire 14 90
- Shire 90

\*Standard Model, there may be a number of optional extras, or alternative components, that may be fitted to an engine that are not shown in this book.

## Index

	Page
Base Engine Model .....	3
Service Parts .....	4
Consumables .....	6
Control Panel Parts .....	7
Electrical Parts .....	9
Gearbox Parts .....	11
Pumps .....	12
Thermostat Parts .....	13
Header Tank Parts .....	14
'E' Kit Parts.....	15
Engine Mount Parts .....	16
Exhaust Manifold Blankets .....	17
Engine Parts: Injectors .....	18
Engine Parts: Fuel Injection Pump .....	19
Engine Parts: Rocker Cover Gasket & Oil Cap.....	20
Engine Parts: Cylinder Head Gasket .....	21
Accessories: Exhaust Equipment .....	22
Accessories: Sterngear .....	23
Accessories: Couplings .....	24
Accessories: Propellers .....	25
Accessories: Lever Controller.....	26
Dealer List .....	27

## Base Engine Model

Shire Model	Base Engine
Shire 06 90	4045DF270
Shire 09 90	4045DF270
Shire 11 90	4045DF270
Shire 12 90	4045DF270
Shire 14 90	4045DF270
Shire 90	4045TF280

On the E.P Barrus Website there is a Shire 90 Parts Book which has a more extensive list of parts available for your engine. To access the Shire Parts Books on the internet, type the following short link into your search engine:

<https://www.barrus.co.uk/divisions/marine/diesel/shire/downloads/shire-parts/?p=1>

For the Shire Shop, visit:

<https://shireshop.co.uk/>

## Service Parts

	Description	Part No.	Model
	Primary Fuel Filter	RDG3026	Shire 06 90 Shire 09 90 Shire 11 90 Shire 12 90
	Primary Fuel Filter	RDG9188346	Shire 14 90 Shire 90
	Secondary Fuel Filter	RE62418	All
	Inner Air Filter Element	RDG6651	All
	Air Filter Element	RDG6650	All
	Oil Filter	RE504836	All
	Fuel Filter Drain Screw	RDG9189022	Shire 14 90 Shire 90
	Alternator Main Drive Belt	RDG0047272	All



50A 24V Alternator Belt

R500277

Shire 11 90



55A 24V Alternator Belt

RDG0047600

Shire 11 90



80A 24V Alternator Belt

RDG0047983

Shire 06 90  
Shire 09 90  
Shire 11 90

## Consumables



Description	Part No.	Model
Engine Oil 15W-40 20L Container	VC83070-020	All
Diesel Fuel Additive 500ml Container	RDG80210219	All
Gearbox Oil 5L CD Container	RDG6110	All
Engine Coolant 20L Container	EPH76215-020	All

## Control Panel Parts

**\* The Shire 06 90, Shire 09 90 and Shire 11 90 used a different type of panel which is no longer available. If the Control Panel or any of the parts on it require replacement the newer Standard/Deluxe Control Panel would be required.**

	Description	Part No.	Model
	Deluxe Control Panel	RDG20710111	All*
	Ignition Switch	RDG215A5	All
	Ignition Key (for switch RDG215A5)	RDG215A196	All
	Ignition Switch Kit (to replace ignition switches fitted before 2016)	RDG215A6 (SS1626)	All
	Tacho Gauge	RDG20710158	All (Only on the panel listed above)
	Oil Pressure Gauge	RDG21710160	All (Only on the panel listed above)
	Voltmeter Gauge	RDG21710161	All (Only on the panel listed above)
	Water Temperature Gauge	RDG21710159	All (Only on the panel listed above)



Control Panel Warning  
Light

RDG20910163

All (Only on the  
panel listed  
above)



## Electrical Parts

	Description	Part No.	Model
	Extension Loom (2.3m)	RDG4041	All
	120A Alternator	RE533654	All
	110A Alternator	RDG5725 - No longer available (Use RDG20110201)	Shire 06 90 Shire 09 90 Shire 11 90
	<p>150A Alternator (For Shire 14 90, Shire 12 90, 140A Alternator originally supplied but is no longer available) <b>NOTE: If a replacement alternator is fitted, you need to order a new pulley (RDG908A21) &amp; spacer (RDG106A43) to fit on the new alternator. Ensure that all cables are of the correct cross-sectional area when fitting a new alternator.</b></p>	RDG20110201	Shire 12 90 Shire 14 90 Shire 90
	Starter Motor	RE549296	All
	Water Temperature Switch / Sensor	RDG6786	Shire 06 90 Shire 09 90 Shire 11 90



Water Temperature  
Switch / Sensor

RDG2189446

Shire 12 90  
Shire 14 90  
Shire 90



Oil Pressure Sensor

RDG6752

Shire 06 90  
Shire 09 90



Yanmar Oil Pressure  
Switch

114250-39450

Shire 06 90  
Shire 09 90



Oil Pressure Switch /  
Sensor

RDG2189445

Shire 11 90  
Shire 12 90  
Shire 14 90  
Shire 90



Control Panel Supply  
Fuse (25 Amp)

RDG1152

All



Engine Start Control  
System (25 Amp)

RDG1152

All



Starter Relay

RDG1396

All

## Gearbox Parts

	Description	Part No.	Model
	Damper Drive Plate for PRM 260 D2 / D3	RDG6235 – No longer available (Use RDG5002)	Shire 06 90 Shire 09 90 Shire 11 90 Shire 12 90
	Damper Plate for 260 / 280 D2 / D3	RDG5002	Shire 14 90 Shire 90
	PRM 280 D2 Gearbox (This replaces the PRM 260 D2 Gearbox fitted on Shire 06 90, Shire 09 90, Shire 11 90, Shire 12 90, Shire 14 90)	RDG914A25	All
	Gearbox Oil Cooler	RDG9097231	All (Serial No 000001 to 9002542)
	Gearbox Oil Cooler	RDG909A12	Shire 90 (Serial No 9002542 onwards)
	Gearbox Oil Cooler Hose (Long)	RDG3017340	All
	Gearbox Oil Cooler Hose (Short)	RDG3017339	All

## Pumps



Description	Part No.	Model
Sump Pump	RDG1461	All
Gearbox Pump	RDG2837	All



## Thermostat Parts



Description	Part No.	Model
Thermostat (71°)	DZ100555	All
Thermostat Gasket	R502814	All

## Header Tank Parts



Description	Part No.	Model
Header Tank	RDG6364	All
Header Tank Cap	RDG1723	All
Header Tank Hose	RDG3310	All

## 'E' Kit Parts



Description	Part No.	Model
3.5kW 'E' Kit Alternator Belt	RDG0047581	All
5kW 'E' Kit Alternator Belt	RDG6816	All

## Engine Mount Parts



Description	Part No.	Model
Engine Mount	RDG0057319	All
Engine Mount Stud Kit	RDG1867	All



## Exhaust Manifold Blankets



Description	Part No.	Model
Exhaust Blanket	RDG6986	Shire 06 90 Shire 09 90 Shire 11 90 Shire 12 90 Shire 14 90
Exhaust Blanket	RDG904A49	Shire 90
Turbo Blanket	RDG904A50	Shire 90

**Engine Parts: Injectors**

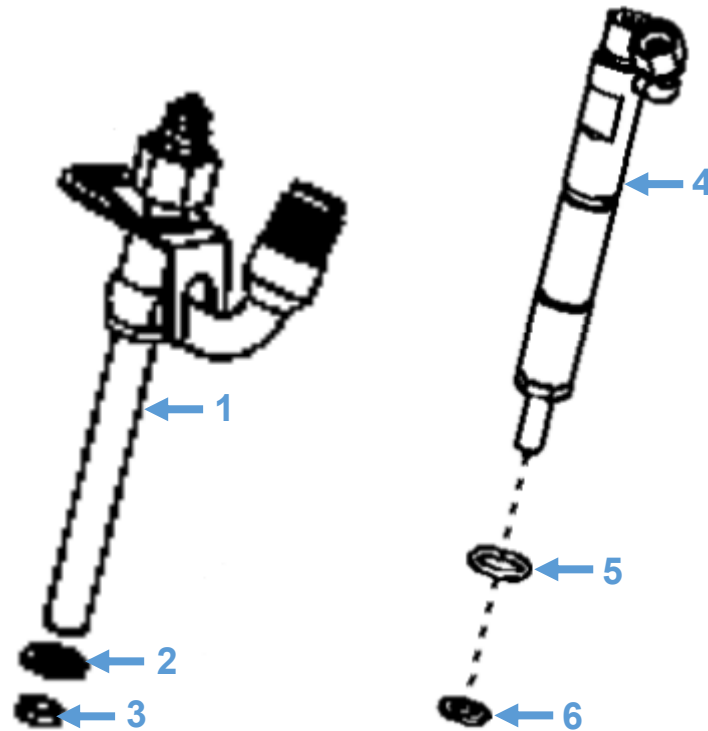


Diagram No.	Description	Part No.	Model
1	Injector	RE519569	Shire 06 90 Shire 09 90 Shire 11 90 Shire 12 90 Shire 14 90
2	Packing	R92352	Shire 06 90 Shire 09 90 Shire 11 90 Shire 12 90 Shire 14 90
3	Washer	R500390	Shire 06 90 Shire 09 90 Shire 11 90 Shire 12 90 Shire 14 90
4	Injector	RE531801	Shire 90
5	O-Ring	R56464	Shire 90
6	Washer	R524623	Shire 90

**Engine Parts: Fuel Injection Pump**

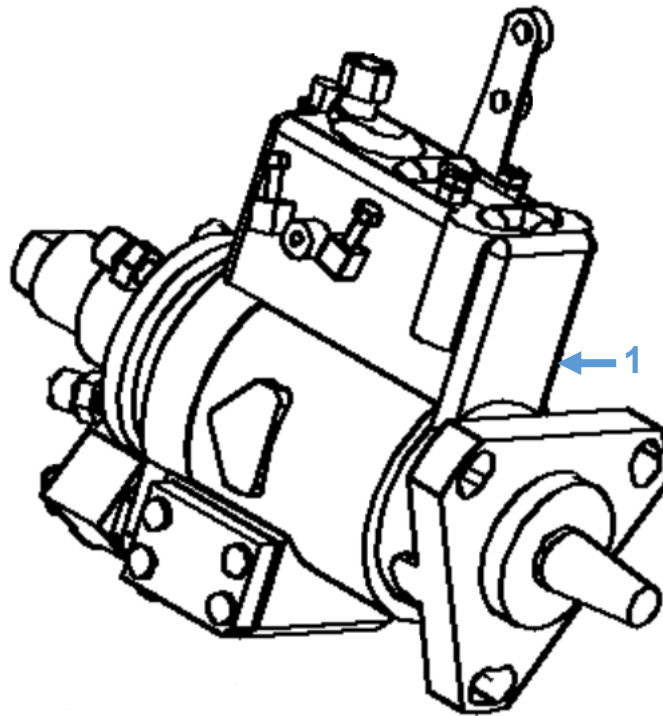


Diagram No.	Description	Part No.	Model
1	Fuel Injection Pump	RE519021	Shire 06 90 Shire 09 90 Shire 11 90 Shire 12 90 Shire 14 90
		RE533479	Shire 90

**Engine Parts: Rocker Cover Gasket & Oil Cap**

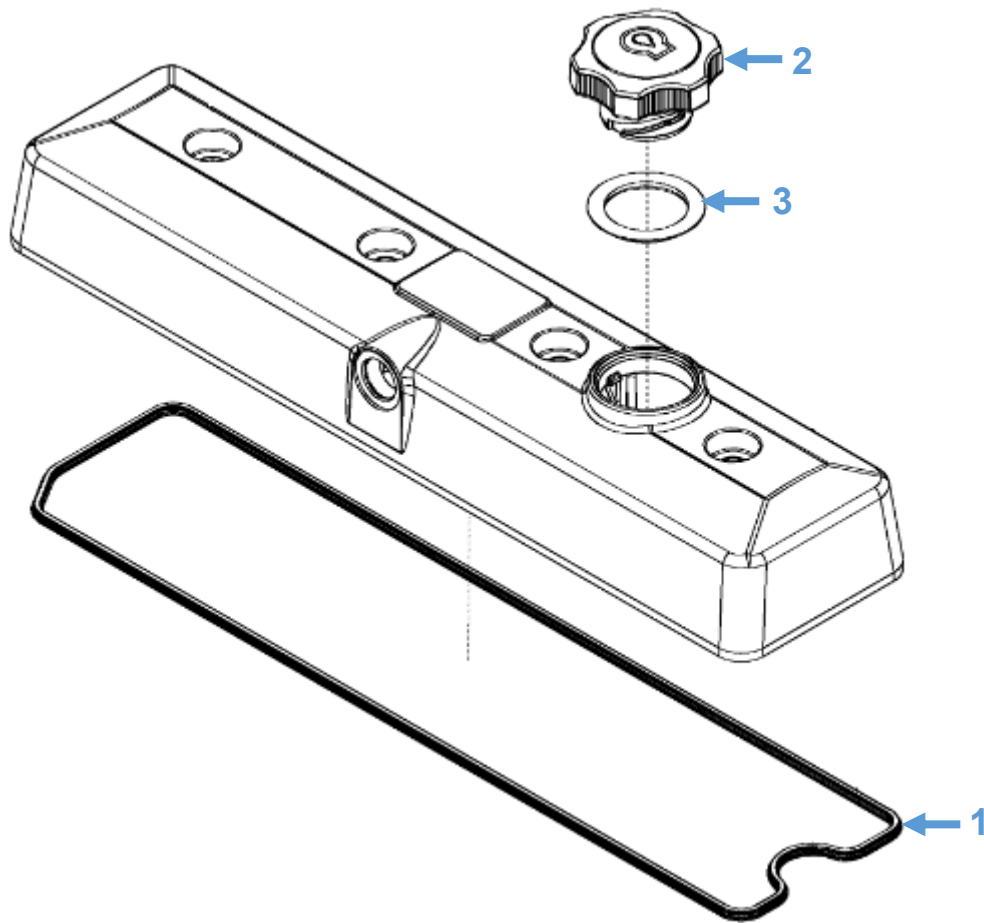


Diagram No.	Description	Part No.	Model
1	Rocker Cover Gasket	R524480	All
2	Oil Cap	RE535560	All
3	Oil Cap O-Ring	R502902	All

**Engine Parts: Cylinder Head Gasket**

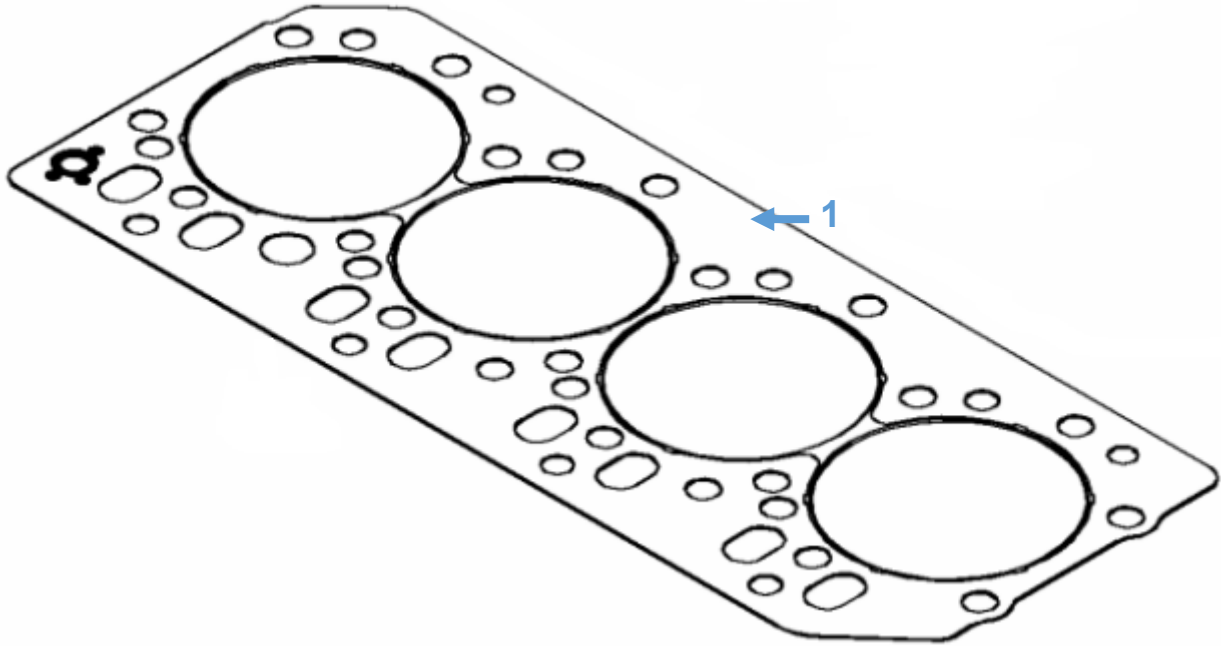


Diagram No.	Description	Part No.	Model
1	Cylinder Head Gasket	R116515	All

## Accessories: Exhaust Equipment



Description	Part No.	Model
Flexible Exhaust Pipe Blanket	RDG9047331	All



Flexible Exhaust Pipe 2.5"	RDG3017410	All
----------------------------	------------	-----



Exhaust Coupling 2.5"	RDG9047504	All
-----------------------	------------	-----



Hospital Silencer 2.5"	RDG9047445	All
------------------------	------------	-----

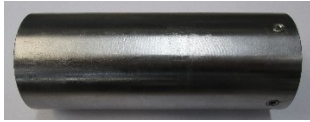


2 1/2" BSP 90 Elbow	RDG9047502	All
---------------------	------------	-----

## Accessories: Sterngear



Description	Part No.	Model
30" x 1.5" Diameter Propeller Shaft	EPB3841	All
Weldable Sterntube	EPB5534	All
Flexible Shaft Seal (to suit 1.5" shaft)	EPB5536	All



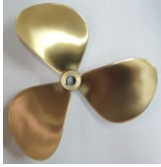
## Accessories: Couplings



Description	Part No.	Model
R&D Flexible Coupling Disc 5" Flange PRM 260 / 280	RDG9126579	All
R&D Split Boss Clamp Coupling 5" Flange PRM 260 / 280	RDG9129923	All
Centaflex Type 16 Coupling 1.5"	RDG2779	All



## Accessories: Propellers



Description	Part No.	Model
20" x 16" 3 Blade Propeller	20X163PB	All*

**\* Suitable for a 1.5" Shaft**

## Accessories: Lever Controller



Description	Part No.	Model
Single Lever Control Unit (side mounted)	RDG92010055	All
3 Metre Cable	RDG92010056	All

## Dealer List

Area	Company	Telephone	Email
BERKSHIRE	Driveline Marine	0118 942 3877	tam@drivelinemarine.com
	Marcus Marine Engineering Ltd <i>(Servicing, Repairs &amp; Breakdowns only)</i>	07900890911	Marcus@marcusmarine.co.uk
BRISTOL	Advance Marine	01275 815910	phil@advancemarine.co.uk
CHESHIRE	Midland Chandlers	01928 751 800	preston.brook@midlandchandlers.co.uk
	Nantwich Canal Centre Ltd	01270 625122	info@nantwichcc.com
CUMBRIA	Windermere Aquatic Ltd	01539 442121	service@aquaticboatcentres.com
DERBYSHIRE	Midland Chandlers	01283 701445	willington@midlandchandlers.co.uk
DEVON	Sleeman & Hawken Ltd	01626 778266	sales@sleeman-hawken.co.uk
ESSEX	French Marine Motors Ltd	01206 305233 01255 850303	info@frenchmarine.com
HAMPSHIRE	Marine Power Ltd	0238 0403918	sales@marine-power.co.uk
HERTFORDSHIRE	Lee Valley Marina	01920 870499 01920 293101	stansteadmarina@vibrantpartnerships.co.uk
	Keypart Ltd	01923 276000	sales@keypart.com
LEICESTERSHIRE	Foxton Boat Services Ltd	01162 792285	foxtonboats@btinternet.com
LONDON	Lee Valley Marina	020 88061717	springfieldmarina@vibrantpartnerships.co.uk
MIDDLESEX	Lindon Lewis Marine	01932 247427	service@pushtheboatout.com
NORTHAMPTON	Grand Junction Boat Co.	01604 858043	info@boatrepairs.uk.com
	Midland Chandlers	01788 891401	braunston@midlandchandlers.co.uk
NOTTINGHAM	Farndon Marina	01636 705483	info@farndonmarina.co.uk
STAFFORDSHIRE	JD Boat Services Ltd	01902 791811	david@jdboats.co.uk
	Midland Chandlers	01785 712437	penkridge@midlandchandlers.co.uk
	River Canal Rescue	01785 785680	enquiries@rivercanalrescue.co.uk
	Stone Boatbuilding Company	01785 812688	stonechandlery@aol.com
	Streethay Wharf	01543 414808	office@streethaywharf.co.uk
WARWICKSHIRE	Springwood Haven Leisure Ltd	0845 4566572	enquiries@springwoodhaven.co.uk
WILTSHIRE	Devizes Marina	01380 725300	sales@devizesmarina.com

WORCESTERSHIRE	Crafted Boats Ltd	01527 876438	craftedboats@btconnect.com
	Evesham Marina	01386 768500	info@eveshammarina.co.uk
	Starline Narrowboats	01531 632003	enquiries@starlinenarrowboats.co.uk
YORKSHIRE	Rodley Boat Centre	01132 576132	rodleyboatcentre@msn.com
MONMOUTHSHIRE	Castle Narrowboats	01873 830001	info@castle.narrowboats.co.uk
EIRE	Southshore Marina & Diesel Ltd	028383 41010	info@southshoremarine.co.uk